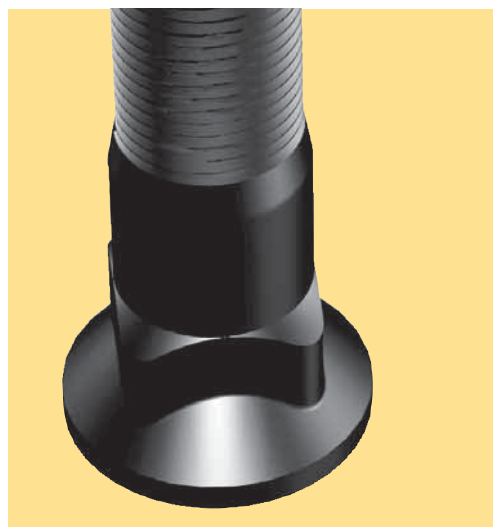
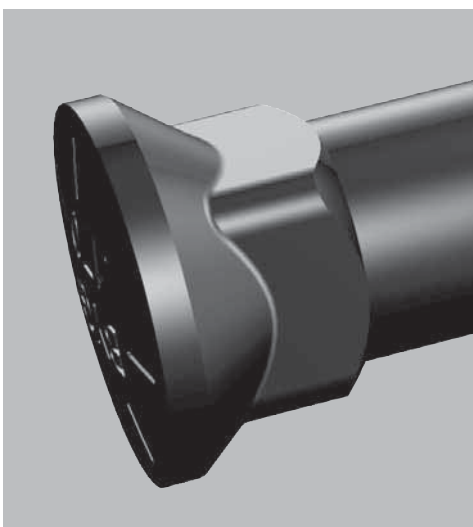
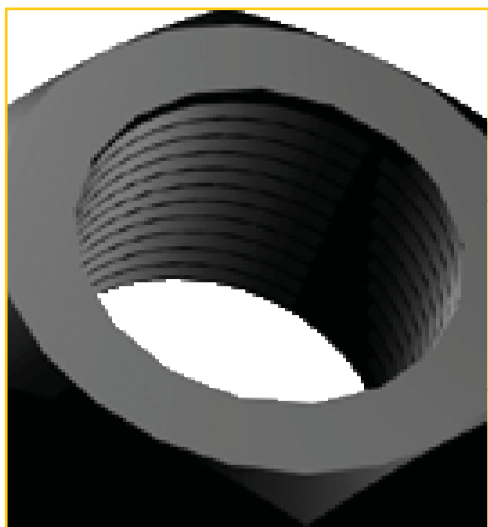
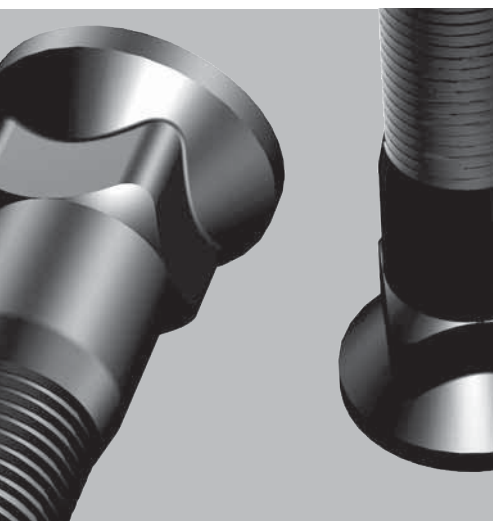


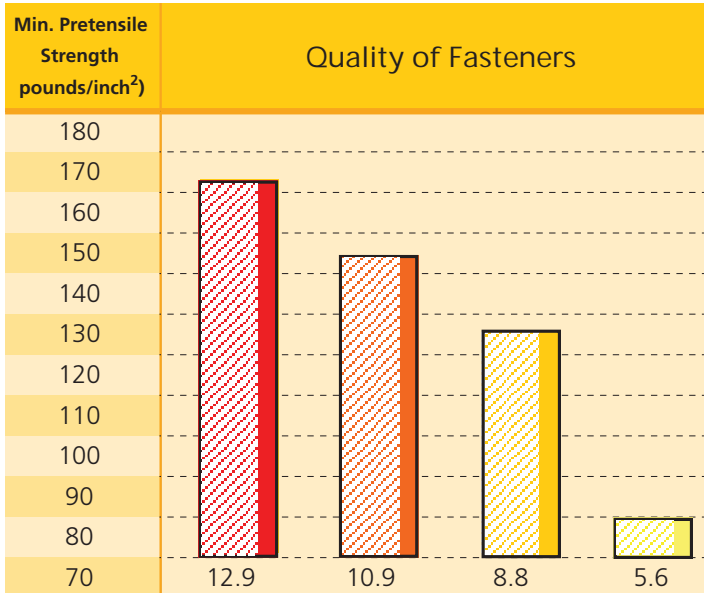
BYG



Fasteners



Characteristics and Quality



12.9 Quality

Pretensile Strength
170.000 P.S.I. (120 Kg/mm²)
 Elastic Load Limit
140.000 P.S.I. (100 Kg/mm²)
 Rockwell Hardness
C35-38



Higher Head

Heads 20% higher than American Standard B 18.2.1. Providing increased fatigue life and maximum holding force for the nut.

SAE Grade Brands

The radial marks indicate the grade of SAE strength for better identification. Six marks on the head guarantee the quality grade 12.9 / 35-38 Rockwell (113/124 Kg./mm²).

Forged Head

Provides a correct flow of the steel fibre reducing the fatigue points ensuring major resistance to bumps and an even distribution of the weight. The edges do not round off and the bolts can be reused. The washer sits perfectly below the head.

Laminated Thread

Laminated with the maximum precision they provide a better hold eliminating the risk of breaking.

Fine Grade Steel

Provides a more even microstructure improving its resistance with a lower percentage of breakage.

Complete Fastening System

For better assurance and to get the maximum resistance and duration use BYG HD nuts and washers in combination with BYG fasteners.

Fasteners



Thread UNC Coarse
 Thread UNF Fine
 Metric DIN 931, 933
 Metric DIN 960, 961
 Metric DIN 912
 Metric DIN 7991

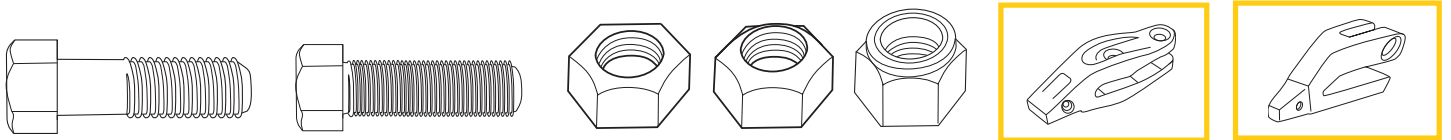
Nuts



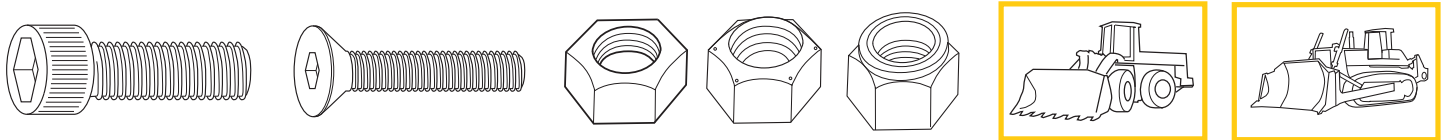
Thread UNC Coarse
 Thread UNF Fine
 Metric DIN 934
 Metric DIN 982



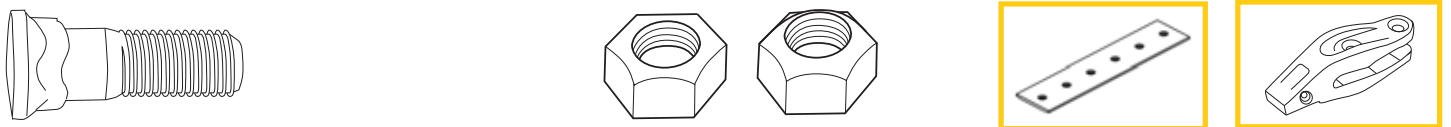
Hexagonal Bolts and Nuts



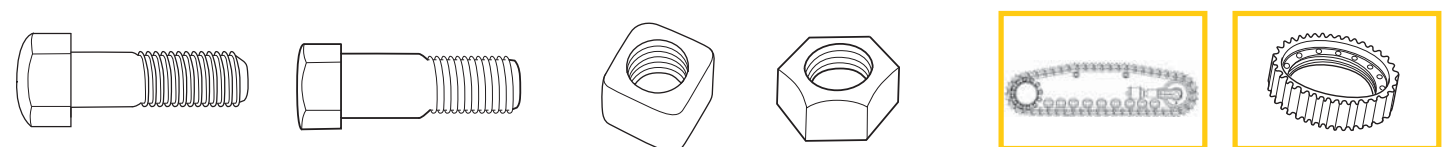
Socket and Flat Head Bolts and Nuts



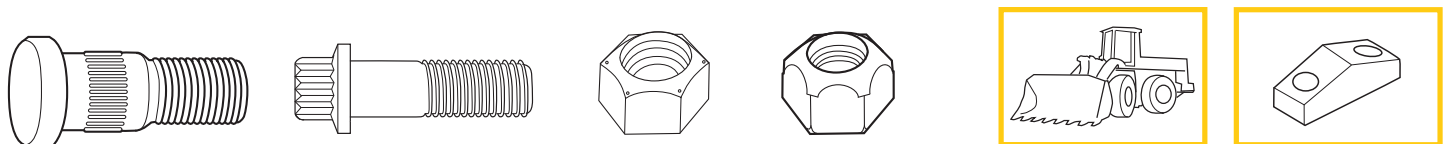
Plow Bolts and Nuts



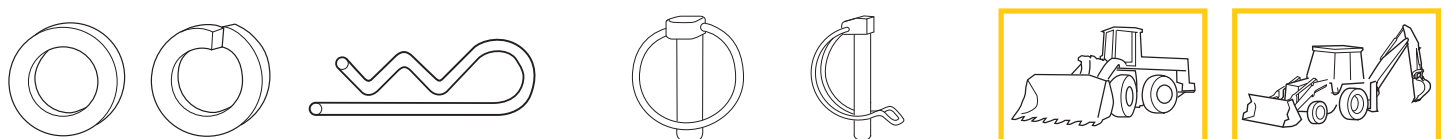
Undercarriage and Final Drive Gear Bolts and Nuts



Tamping Foot and Wheel Loader Bolts and Nuts



Washers, Pins and Retainers





españa,
technology
for life.



Full Product Range

- Aftermarket Parts
- Buckets
- Bucket Protection
- Chocky Bars and Wear Buttons
- Cutting Edges
- Cutting Tools
- Demolition Tools
- Fastenes Grade 9
- Filters
- Ground Engaging Tools
- Hydraulic Breaker Tools
- OEM Parts
- Rebuilt and Used Parts
- Ripper Shanks
- Rolled Steel Sections
- Rubber Tracks
- Teeth and Adapters
- Wear Plates

BYG Technical Catalog



Order your Catalog hard copy or browse it online on www.byg.com

Purchase Online

BYGonline helps you find part numbers, pricing, availability, stock and place orders instantly



International Branches

Europe

BYG France
byg.france@byg.com

BYG Germany
byg.germany@byg.com

BYG Portugal
byg.portugal@byg.com

BYG Russia
byg.russia@byg.com

BYG Spain
byg.spain@byg.com

America

BYG United States
byg.usa@byg.com

BYG Canada
byg.canada@byg.com

BYG Sudamerica
byg.sudamerica@byg.com

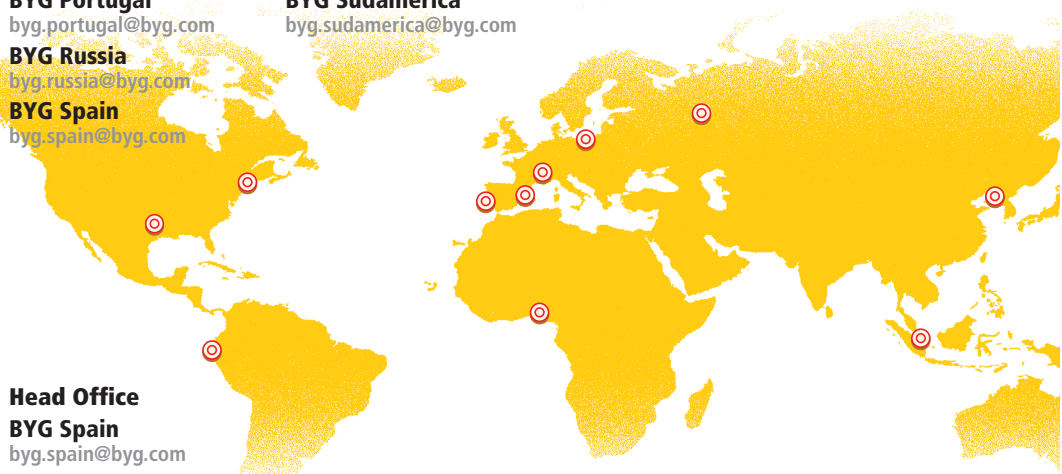
Africa

BYG Nigeria
byg.nigeria@byg.com

Asia

BYG China
byg.china@byg.com

BYG Singapore
byg.singapore@byg.com



Head Office
BYG Spain
byg.spain@byg.com

International Sales

telephone **+34 936 804 901**
fax **+34 936 805 899**
email **sales@byg.com**

www.byg.com

